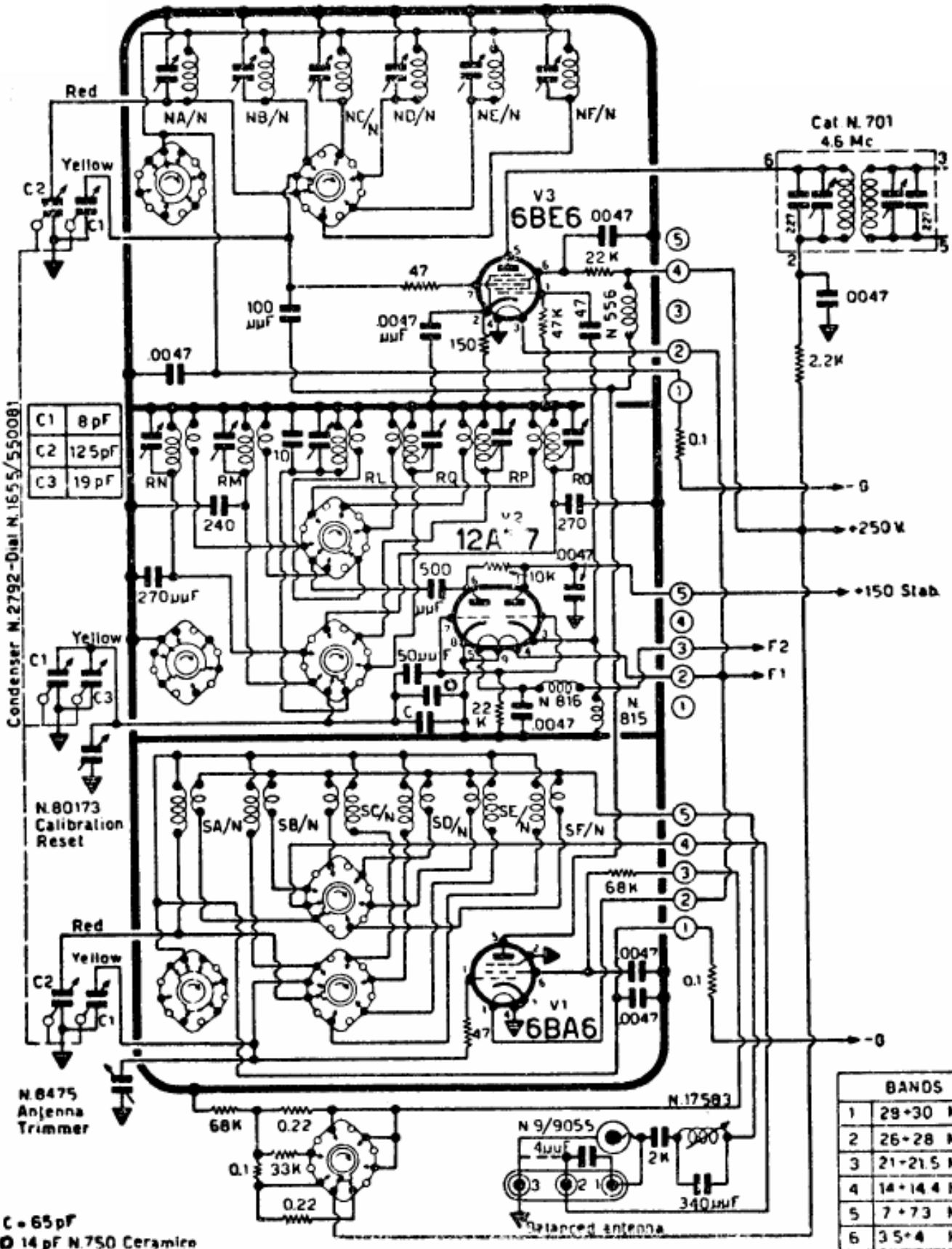


R.F. TUNER N.2620



Condenser N.2792-Dial N.1655/550081

C1	8 pF
C2	125 pF
C3	19 pF

BANDS	
1	29+30 Mcs.
2	26+28 Mcs.
3	21-21.5 Mcs.
4	14+14.4 Mcs.
5	7+7.3 Mcs.
6	3.5+4 Mcs.

C = 65 pF  
 ○ 14 pF N.750 Ceramics